

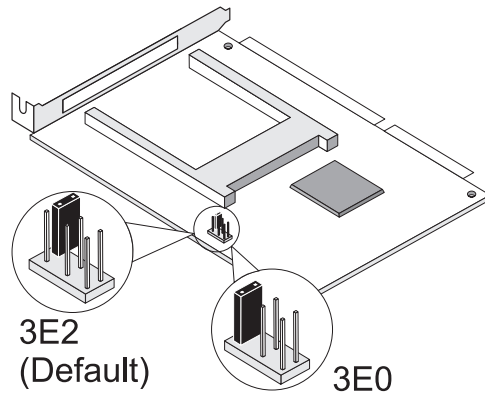
ORiNOCO ISA Adapter

The ORiNOCO ISA Adapter, is a standard “PC Card to ISA bus” adapter that you can use to install ORiNOCO PC Cards into computer devices that do not have a factory-installed PC Card slot.

The ORiNOCO ISA Adapter supports two I/O addresses:

- 3E0-3E1
- 3E2-3E3 (factory-set default)

For most computers you do not need to change the factory-set strapping of the jumper (shown below) that determines the I/O address.



⇒ NOTE:

The ORiNOCO ISA Adapter was especially designed for ORiNOCO PC Cards. Although the adapter will support most standard Type II PC Cards as well, using this adapter in combination with other PC Cards is not supported.

1. Inserting the Adapter

Unpack the ORiNOCO ISA Adapter kit and verify that all items are present:

- ORiNOCO ISA Adapter.
- Instruction flyer (this document).

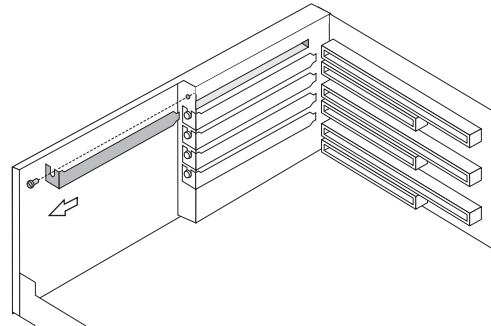
If any of the items described appear to be damaged or missing, please contact your supplier.

ORiNOCO ISA Adapter

⚠ DANGER:

Carefully follow the instructions below. Failing to do so may lead to an electric shock and cause damage to your computer and adapter.

1. Switch off the power of your computer and of all external devices connected to your computer.
2. Disconnect the power cords from your computer and its external devices from the mains sockets.
3. Remove the top cover of your computer, according to the instructions in the user's guide that came with your computer.



4. Select an available slot for your adapter and remove the metal filler strip (as pictured above). Keep the screw for fixing the adapter later.

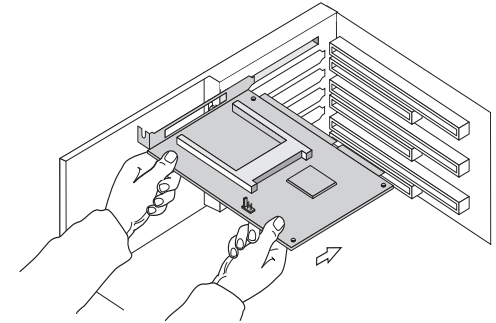
⚠ CAUTION:

Electrostatic discharge may cause damage to your computer and/or PCI Adapter. To avoid damage, first touch the metal chassis of your computer before you:

- a. Remove the PCI Adapter from its anti-static bag.
- b. Insert the PCI Adapter into the computer.

ORiNOCO ISA Adapter

5. Gently insert the connector of the ISA Adapter into the slot (as shown below) until it is properly seated.



6. Secure the ISA Adapter into place with the screw that you removed in step 4.
7. Put the computer cover back into place according to the instructions in the user's guide that came with your computer.
8. Reconnect all the external devices to your computer.
9. Re-insert the power cords and connect them to the mains sockets.
10. Switch on the power of your computer.
11. Start-up your computer.

2. Introduce the ISA Adapter to your computer

The ORiNOCO ISA Adapter does not support “Plug & Play”. This means that after inserting the adapter into your computer, you must “introduce” it to the operating system of your computer.

- For MS-Windows 95, 98, 2000 and NT 4.0, follow the instructions as described in this flyer.
- For MS-DOS systems, and Windows 3.x, install the “Card Access Driver” (WaveCAD) as described in the User's Guide of the ORiNOCO PC Card.

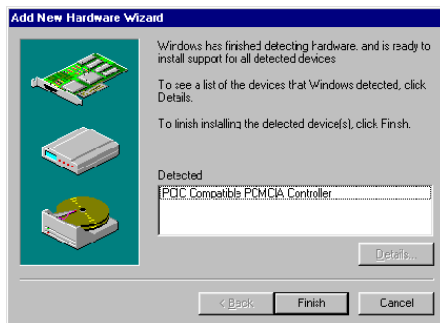
ORiNOCO ISA Adapter

Microsoft Windows 95, 98 and 2000

Follow these steps to introduce the ORiNOCO ISA Adapter to the operating system of your computer:

1. From the Windows taskbar, click the **Start** button, select **Settings** and then select the item **Control Panel**.
2. On the **Control Panel**, double-click on the **Add New Hardware** icon. Your operating system will start the "New Hardware Wizard". Select **Yes** to allow the Windows operating system to detect any new hardware and
4. Click the **Next** button.

The hardware detection process may take several minutes. When finished, your Windows operating system will typically display a screen as shown below.



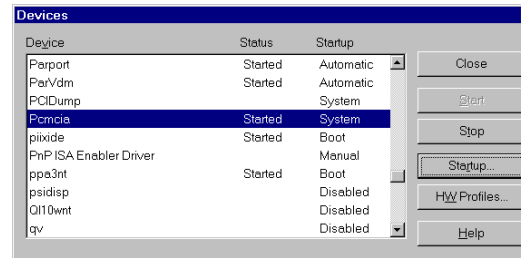
5. Select the item **PCMCIA Compatible Controller** and click the **Finish** button. This will launch the **PC Card Wizard**.
6. Follow the instructions of the **PC Card Wizard**.
7. Proceed with inserting the ORiNOCO PC Card, as described in the Quick Installation Guide that came with your PC Card.

ORiNOCO ISA Adapter

Microsoft Windows NT v4.0

Follow these steps to allow the Windows NT operating system to detect PC Cards in the PC Card slot of the ORiNOCO ISA Adapter:

1. From the Windows taskbar, click the **Start** button, select **Settings** and then select the item **Control Panel**.
2. Double-click on the **Devices** icon. The **Devices** window opens.



3. Scroll down the list of devices, and select the item **PCMCIA**.
4. Click the **Startup** button and set the Startup type to **Boot**.
5. Click **OK** to confirm and to return to the **Devices** window.
6. Click the **Close** button to return to the Control Panel.
7. Shut down your computer and proceed with inserting the ORiNOCO PC Card, as described in the Quick Installation Guide that came with your PC Card.



NOTE:

You can find the most recent ORiNOCO software and documentation on the ORiNOCO Internet site.

URL: <http://www.lucent.com/ORiNOCO>

ORiNOCO ISA Adapter

Technical Specifications

Mechanical Specification	
Dimensions	Length: 170 mm Width: 100 mm
PC Card Slot	■ Single slot for Type II PC Card ■ No ejector
Electrical Specifications	
PC Card bus	16 bit, 5V only ^a
ISA bus	ISA Bus (half-size AT) ^b
Chipset	Vadem 469 (Intel 82365 PCIC Compatible)
I/O Address	■ 3E2 - 3E3 (default) ■ 3E0 - 3E1
Power Consumption	■ 5 V 1200 mA
Temperature & Humidity	
Operation	0° to 55° C
Transit	-20° to 70° C
Storage	-10° to 60° C
Humidity	Maximum 95 %, no condensation allowed.
Compatibility	
Operating System	■ MS-Windows 95/98 ■ MS-Windows NT 4.0 ■ MS-Windows 2000 ■ MS-DOS ^c
PC Card	■ All Lucent Technologies WaveLAN/IEEE PC Cards ■ All Lucent Technologies ORiNOCO PC Cards ■ Hot Swapping supported, subject to type of operating system
EMC Compliance	USA FCC CFR47 Part 15-B, Class B Europe ■ 89/336/EEC, EMC directive including CE Mark ■ EN 55022, Class B (Emissions) ■ EN 50082-1 (Immunity) Japan VCCI Standard, Class 2 (Emissions)
Product Safety	USA UL1950, UL Listed Europe EN60950 Other IEC 950

- a. Compliant to R2 PC Card interface defined in the 1995 PC Card Standard
- b. Compliant with the Intel 82365SSL Socket Controller Specification.
- c. In combination with dedicated Card Access Driver (WaveCAD).

Regulatory Information

USA – Federal Communications Commission (FCC)

This device complies with Part 15 of the FCC Rules. Operation is subject to the following two conditions: (1) this device may not cause harmful interference, and (2) this device must accept any interference received, including interference that may cause undesired operation

Information to the user

NOTE: This equipment has been tested and found to comply with the limits for a Class B digital device, pursuant to Part 15 of the FCC Rules. These limits are designed to provide reasonable protection against harmful interference in a residential installation. This equipment generates, uses, and can radiate radio frequency energy. If not installed and used in accordance with the instructions, it may cause harmful interference to radio communications. However, there is no guarantee that interference will not occur in a particular installation. If this equipment does cause harmful interference to radio or television reception, which can be determined by turning the equipment off and on, the user is encouraged to try and correct the interference by one or more of the following measures:

- Reorient or relocate the receiving antenna.
- Increase the distance between the equipment and the receiver.
- Connect the equipment to an outlet on a circuit different from that to which the receiver is connected.
- Consult the dealer or an experienced radio/TV technician for help

Canada – Industry Canada (IC)

This Class B digital apparatus meets all requirements of the Canadian Interference-Causing Equipment Regulations
Cet appareil de la class B respecte toutes les exigences du Reglement sur le materiel brouilleur du Canada

Europe - EC Declaration of Conformity

This device complies with Low Voltage Directive 73/23/EEC and EMC Directive 89/336/EEC